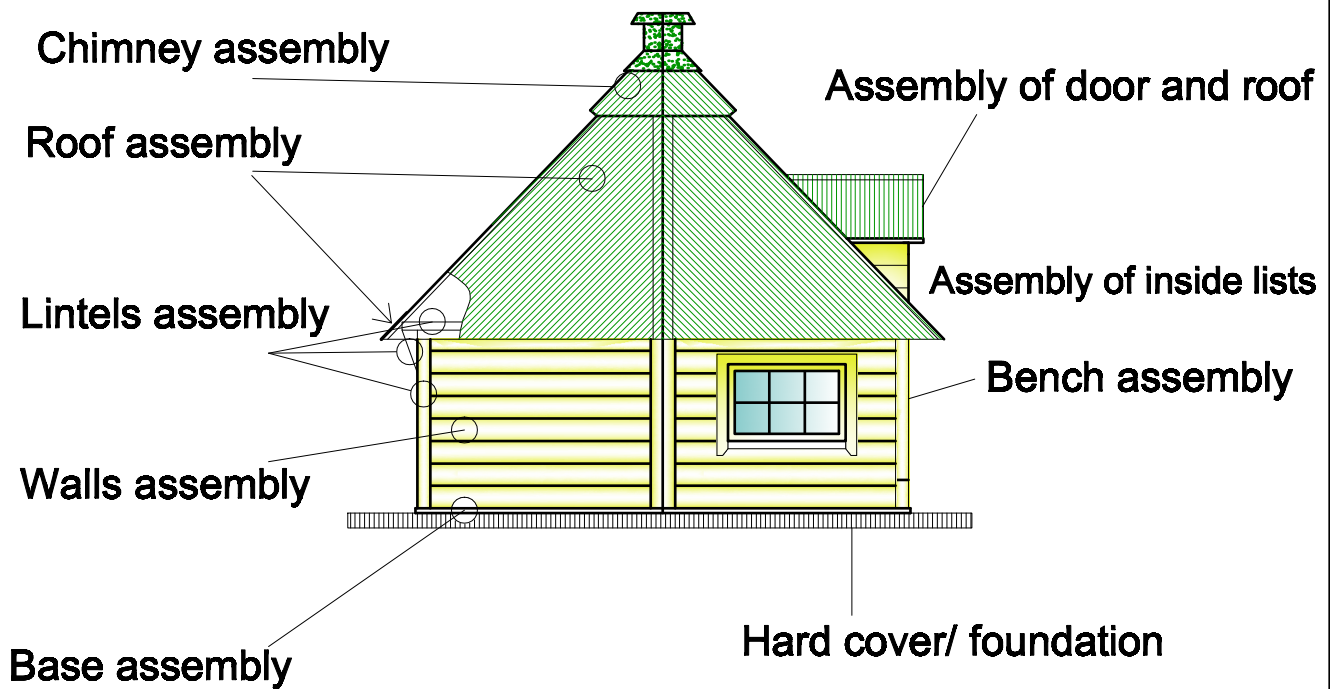


GRILLHOUSE 9,2 m² ASSEMBLY INSTRUCTION



Sparmax AS Verkstedvn. 48, 3516 HØNEFOSS, NORWAY, Tel: +47 4000 1992

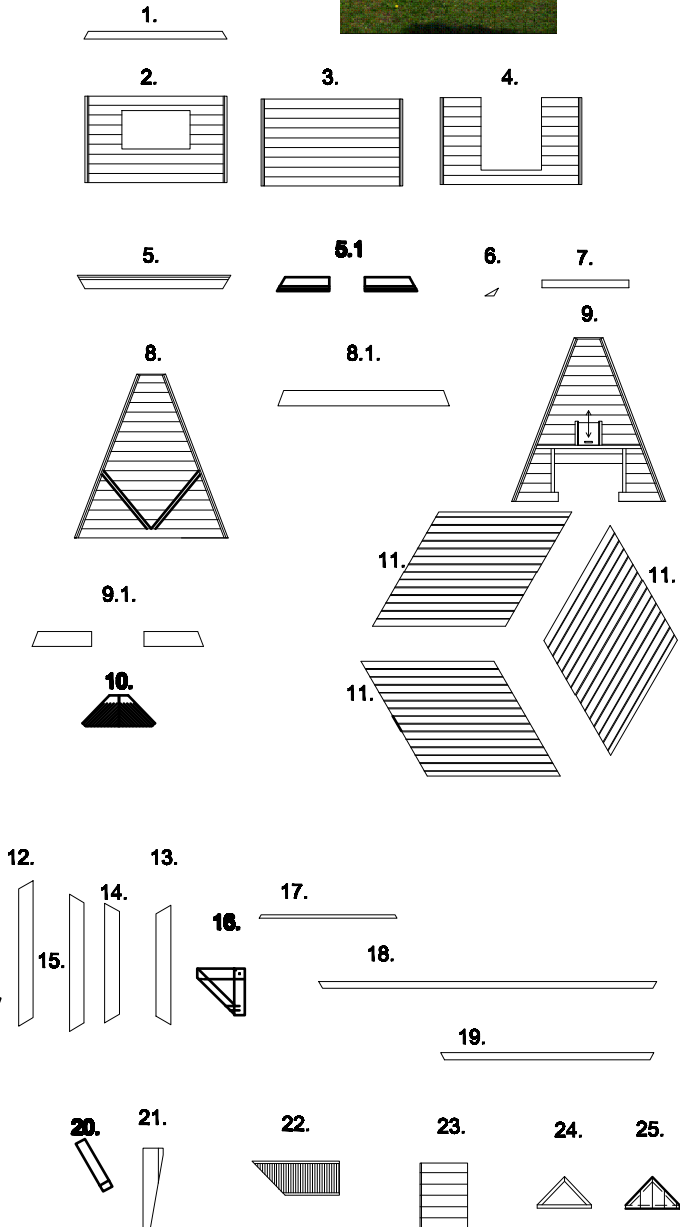


GRILLHOUSE

List of details

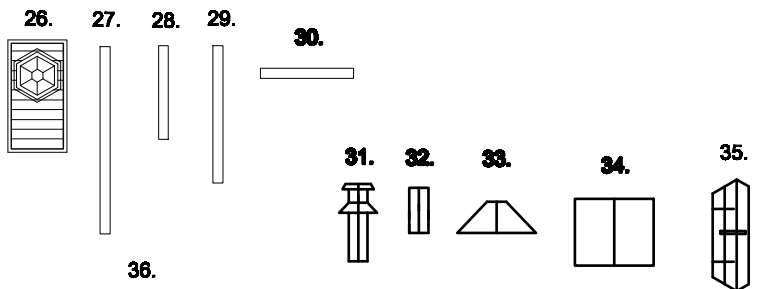


Nr.	# of details	Description
1.	6	Ground beams
2.	3	Walls with windows
3.	2	Wall without windows
4.	1	Wall (entrance wall)
5.	5	Lintel with groove
5.1.	2	Lintel for entrance part
6.	6	Corner brick inside
7.	6	Corner covers outside
8.	5	Roof elements
8.1.	5	Bottom part of roof
9.	1	Roof element (entryway)
9.1.	2	Bottom part of roof (entryway)
10.	1	Roof hat
11.	3	Floor elements
12.	4	Boards for benches
13.	2	Boards for benches
14.	3	Boards for benches
15.	3	Boards for benches
16.	15	Legs for benches
17.	2	Support for benches
18.	2	Support for benches
19.	1	Support for benches
20.	6	Legs for extra benches
21.	2	Pillars on both side of door
22.	2	Roof elements (entryway)
23.	1	Roof above door
24.	1	Ceiling girder entryway
25.	1	Ceiling girder with panel for entryway
26.	1	Door
27.	6	Lists for roof inside
28.	6	Lists for walls inside
29.	2	Inside list for door
30.	1	Inside list for door



Grill details

31.	1	Chimney
32.	1	Chimney pipe
33.	1	Smoke collector
34.	1	Grill and legs
35.	6	Tables around grill
36.	3	Chains for smoke collector

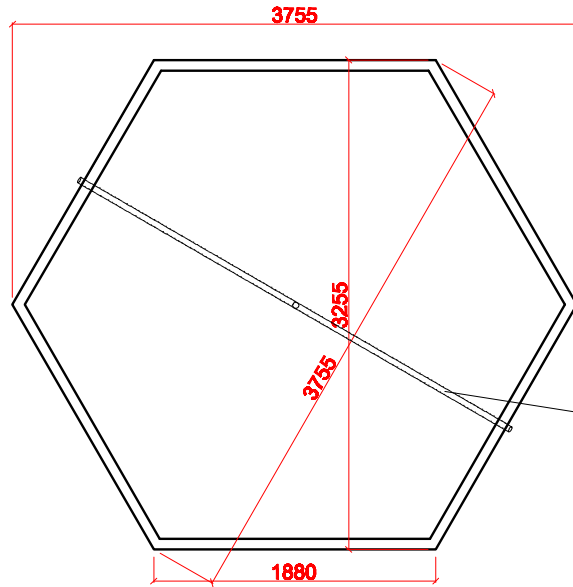


Date

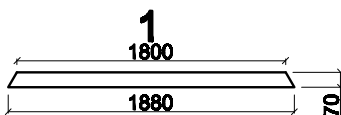
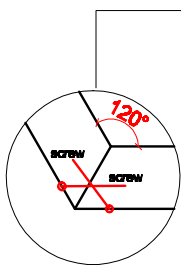
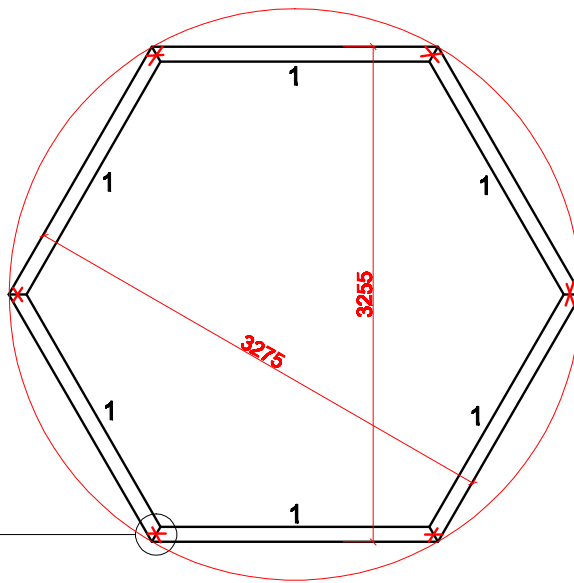
Signature

Base assembly

Fundaments/ foundation



Lufferør
Lufferøret (dimensjon på 110mm) må legges under fundamentet.

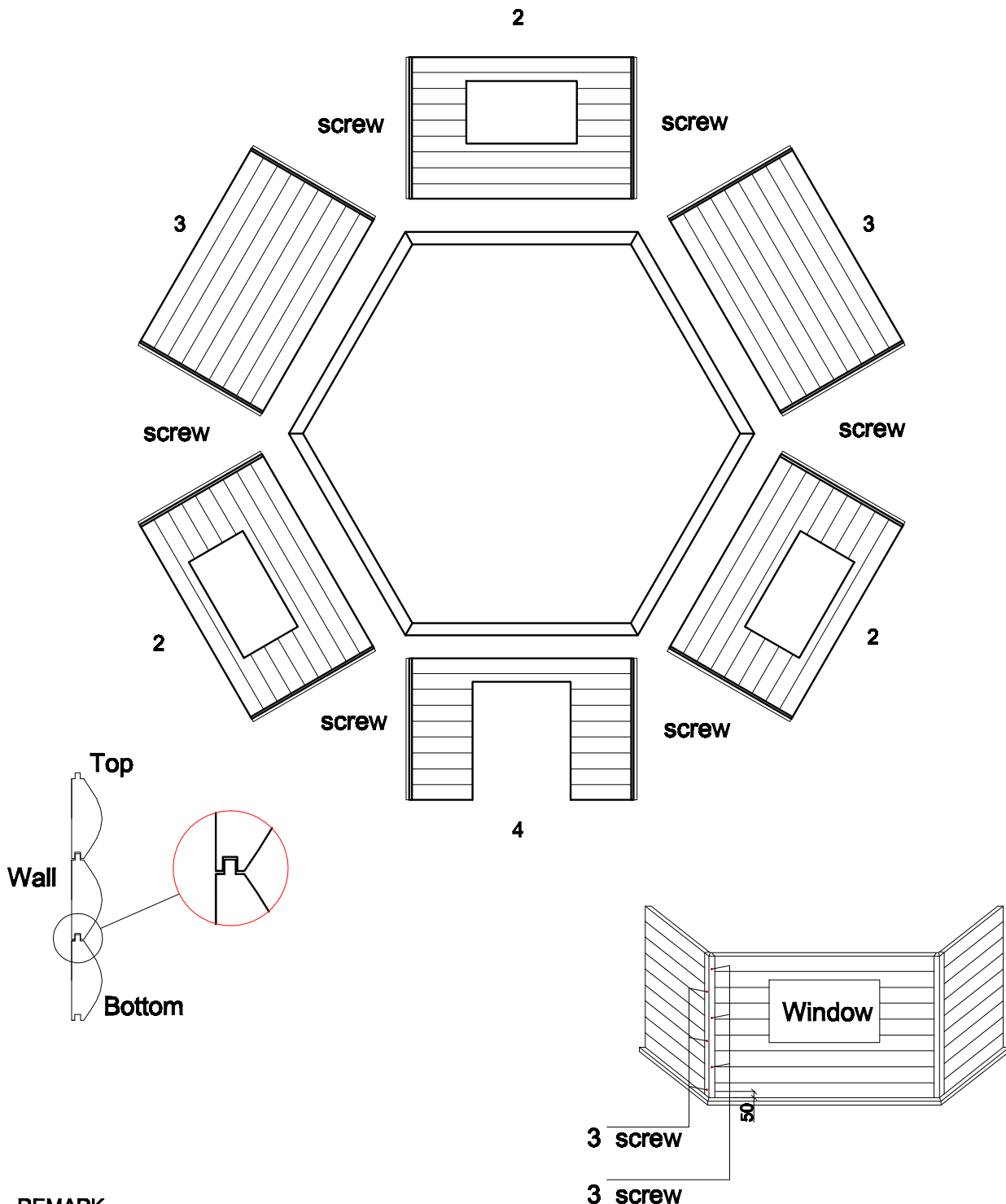


Foundation can be made of stone, concrete or sand. Make sure that the surface of foundation is at the same level.
Then screw together the impregnated ground beams.

REMARK

No. 1 6 Ground beams, 12 screw 4x 120 mm

Walls assembly



REMARK

No.2 - 3 walls with windows ,screw 4x 70 mm

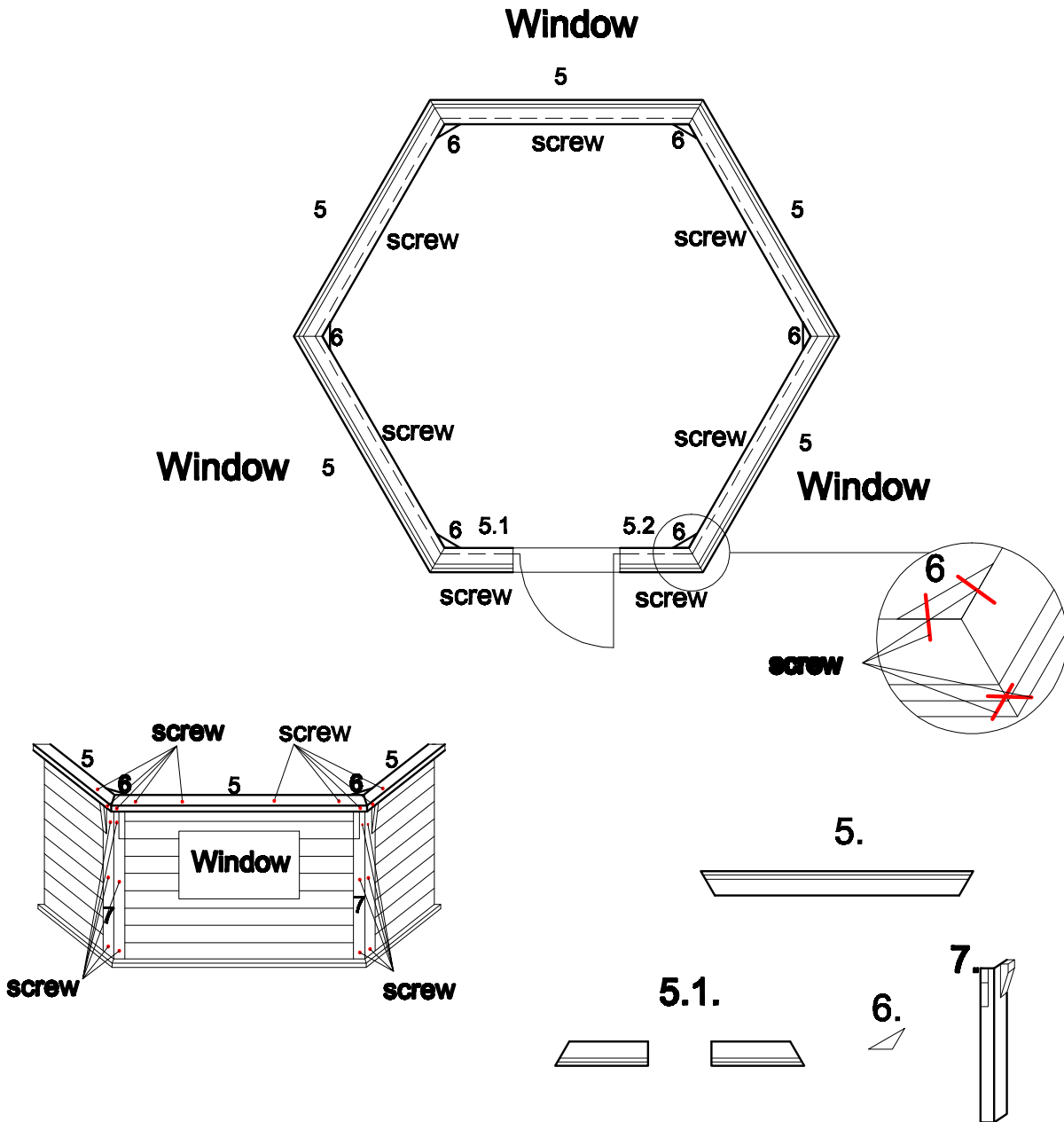
No.3 - 2 wall without window, screw 4x 70 mm

No.4 - 1 wall (entrance wall), screw 4x 70 mm

36 screws 4x 70 mm

Start to assemble the walls with the opposite from the entrance door. Use 6 crews at 4x70 to assemble them together, three from each side, totally 36 screws. Control that the walls are mounted in correct way.

Assembly of lintels



REMARK

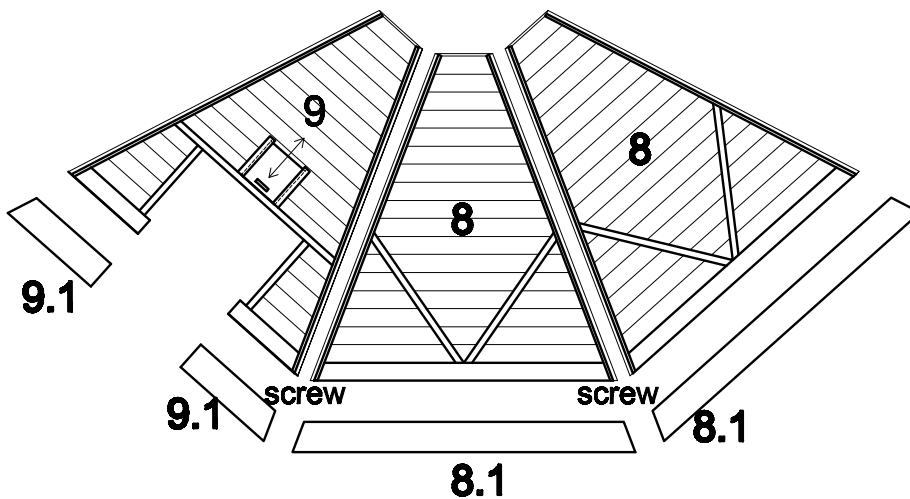
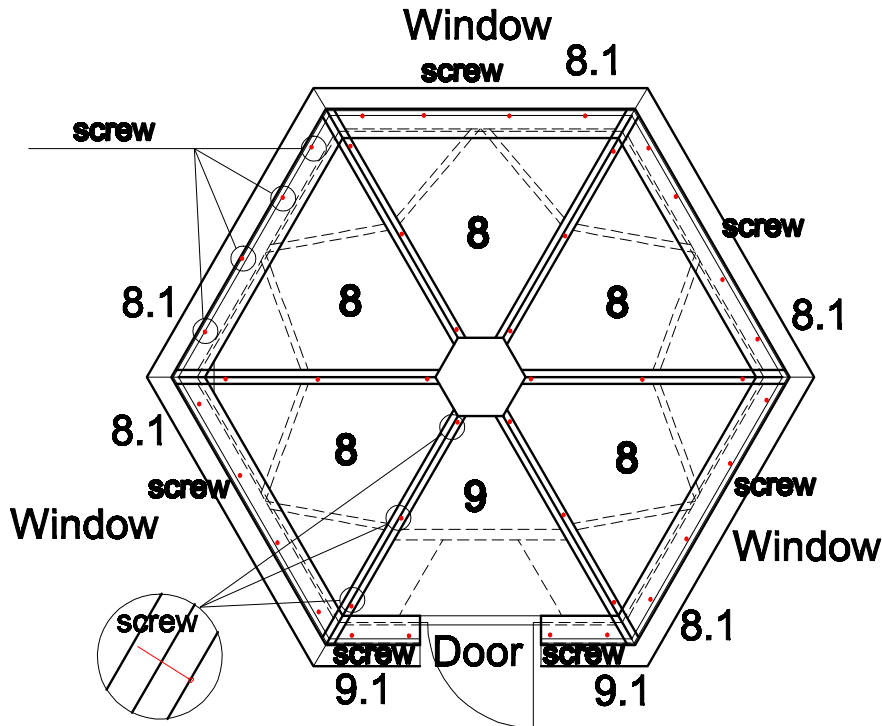
- No. 5 - 5 lintels with groove, screw 5 x 120 mm
- No. 5.1 - 2 lintels for entrance part, screw 5 x 120 mm
- No. 6 - 6 Corner brick inside, screw 5 x 120 mm
- No. 7- 6 corner covers outside, screw 5 x 70 mm

Put lintels on the top of the walls, with the track for roof facing up. Fasten with 4 pcs 5x100 crews from top and down in the wall element.

Put up the corner boards. Use 4x70 screws, totally 4 pcs on each corner. Control that corner boards and walls are at same level.

Put corner bricks with 2 pcs 5 x 60 screws Put corner lists with 6 pcs 4x70 screws. Make sure that the list is placed just under the corner brick.

Roof assembly



Assemble the roof elements, start with the one opposite to entrance door. Support the walls with materials for the benches. Connect two elements together and then screw the others elements together. Use 6 pcs 4x 70 screws for each connection .

Put on the boards with roofing material, take away the plastic .Wait to put on the two short boards on the entrance side, until the door is in place.

Put on the strip of roofing shingel . Use roofing nails to fasten it.

Now you can cut the cross piece in the roof element and wall element.

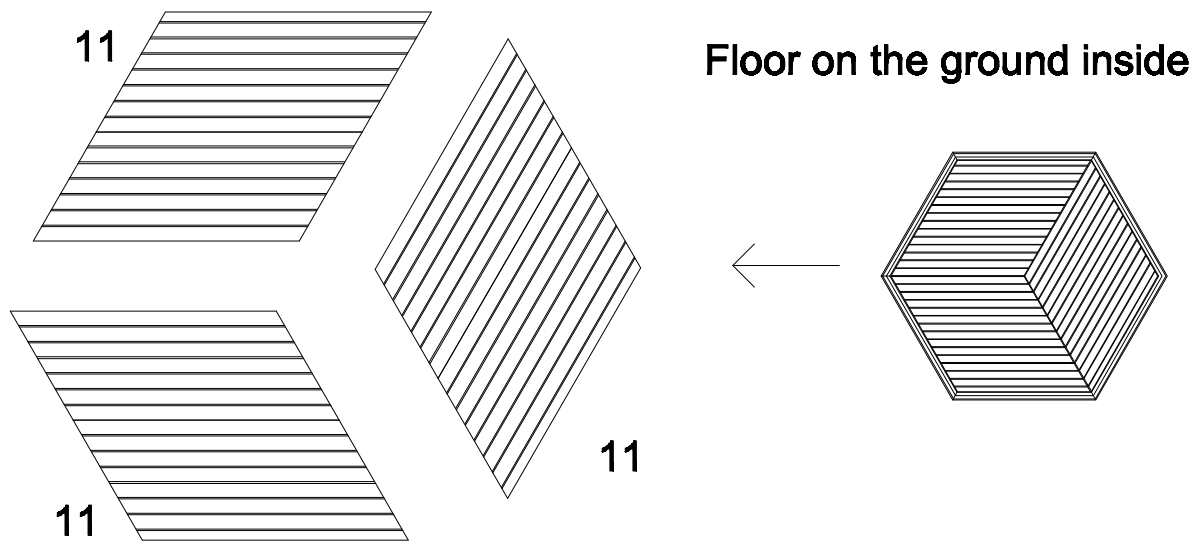
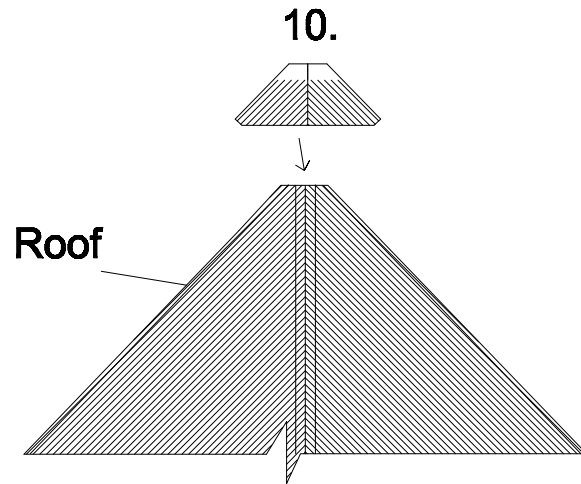
Adjust lintel and roof element like picture is shown so that the lintel is in line with the roof element.

REMARK

- No. 8- 5 roof elements, screw 4 x 70 mm
- No. 8.1- 5 bottom parts of roof, screw 5 x 120 mm
- No. 9- 1 roof element (entryway), screw 5 x 120mm
- No. 9.1- 2 bottom parts of roof, screw 5 x 120 mm

Roof 36 screws 4 x 70 mm

Roof and floor assembly



REMARK

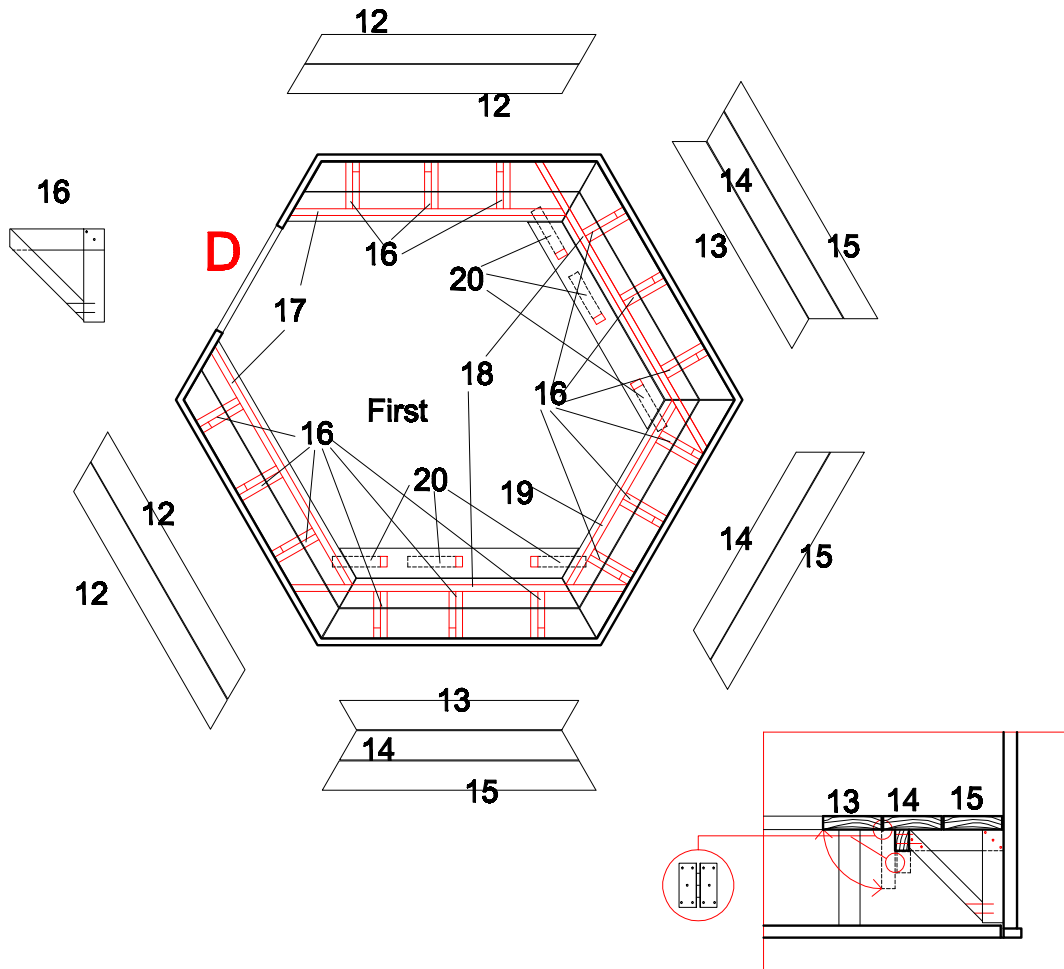
No.10 - 1 hat

No.11 - 3 floor elements

Put on roof hat.
Put on the floor.

Bench assembly

Benches



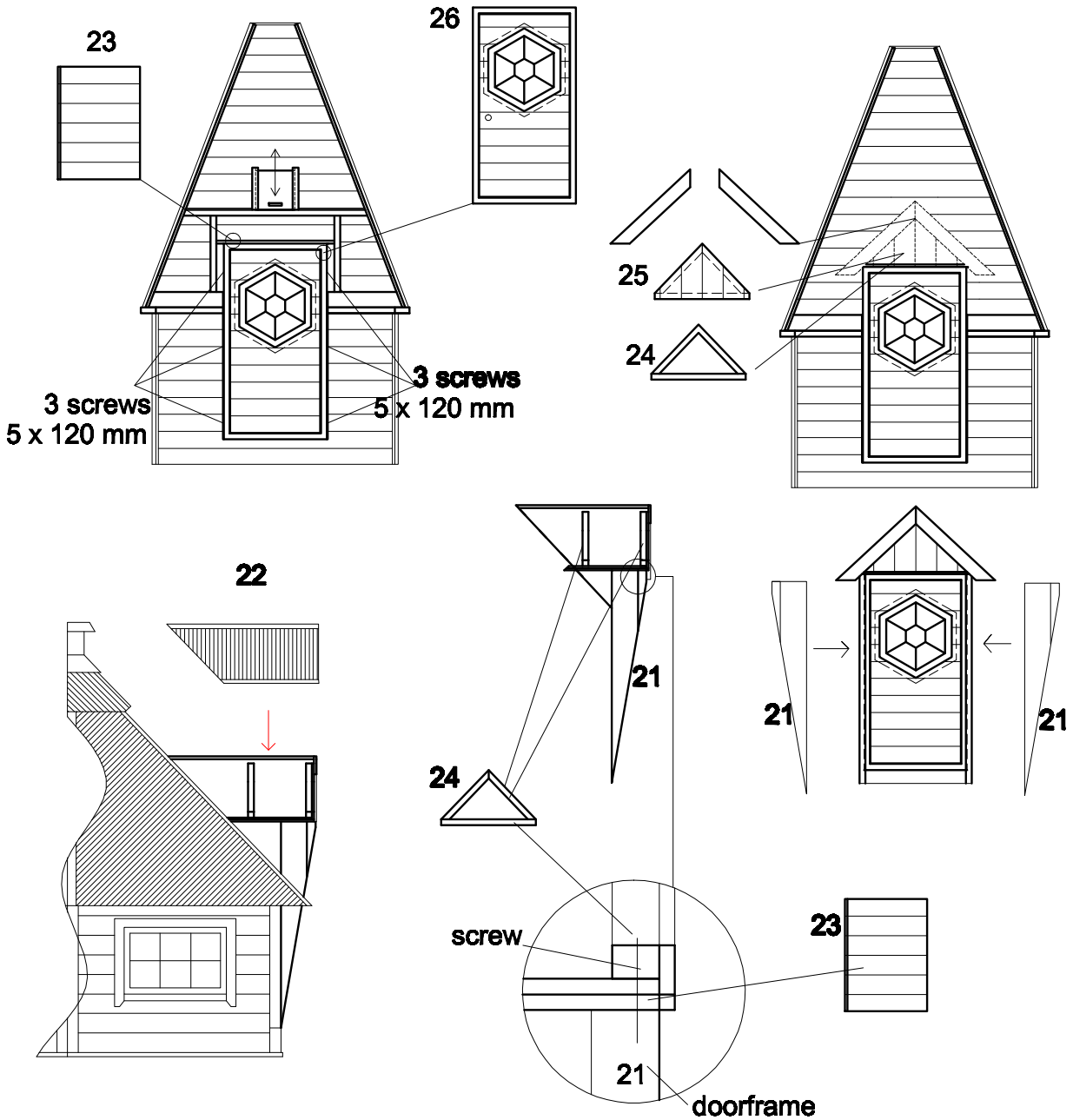
REMARK

- No. 12. - 4 boards for benches , screw 4 x 70 mm
- No. 13. - 2 boards for benches, screw 4 x 70 mm
- No. 14. - 3 boards for benches, screw 4 x 70 mm
- No. 15. - 3 boards for benches, screw 4 x 70 mm
- No. 16. - 15 legs for benches, screw 4 x 70 mm
- No. 17. - 2 support for benches, screw 4 x 70 mm
- No. 18. - 2 support for benches, screw 4 x 70 mm
- No. 19. - 1 support for benches, screw 4 x 70 mm
- No. 20. - 6 legs for extra benches, screw 3.5 x 35 mm

Assemble the benches (use 5x100 and 4x70 screws).

Use 4x70 screws to fasten the sitting boards, see drawing.

Assembly of entrance door and roof



REMARK

- No. 21. - 2 pillars on both side of door , screw 4 x 120 mm
- No. 22. - 2 roof elements (entryway), screw 4 x 70 mm
- No. 23. - 1 roof above door , screw 4 x 70 mm
- No. 24. - 1 ceiling girder entryway , screw 4 x 70 mm
- No. 25. - 1 ceiling girder with panel for entryway , screw 4 x 70 mm
- No. 26. - 1 door , screw 6 x 120 mm

Put on the broad slanting door lists to the roof element and wall element by using 4x70 crews.

Put the door so it rest the wall in bottom. Control that it's in leve, fasten it. It's recomended to place small grooves between the door and vegg element so you will not pull the frame when fastening it (Insulation around the door is recomended).

Put on the ceiling girder with panel in front. Here you can use 1 pcs 4x70 on each side.

Fasten the roof to the door. Fasten the angel to by the door.

Fasten roof section in both ceiling girders, and put on shingel.

Assembly of lists

Inside

27.

Window

28.

Window

Window

30.

Door

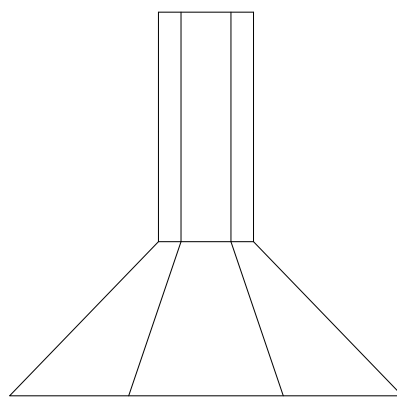
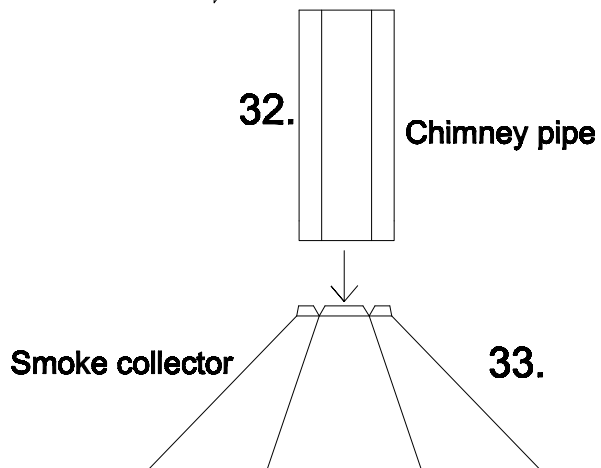
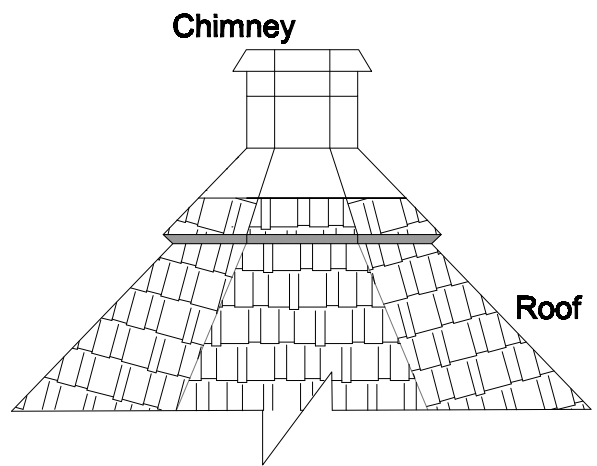
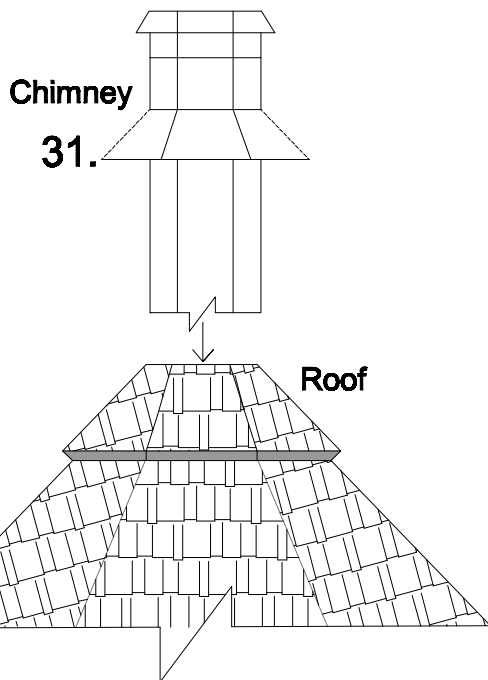
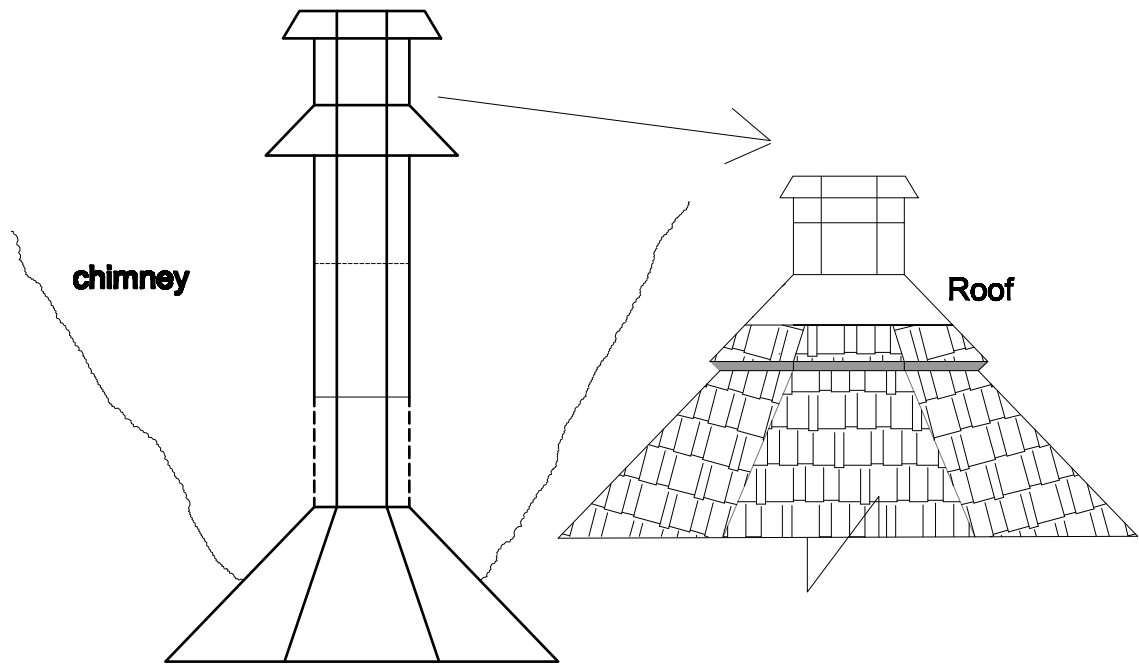
29.

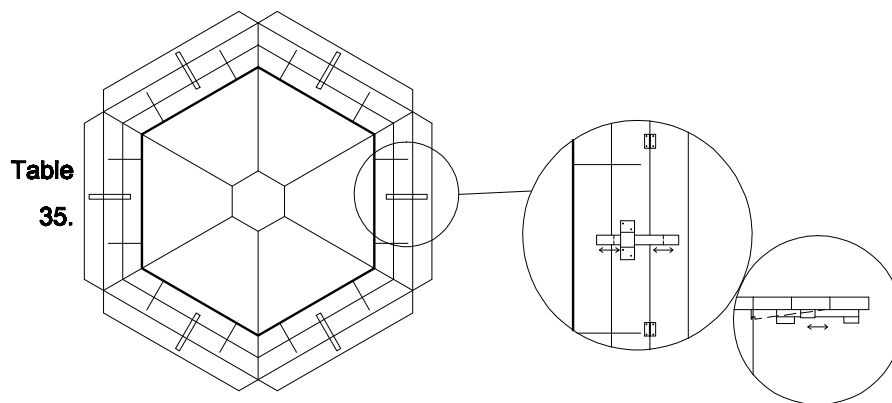
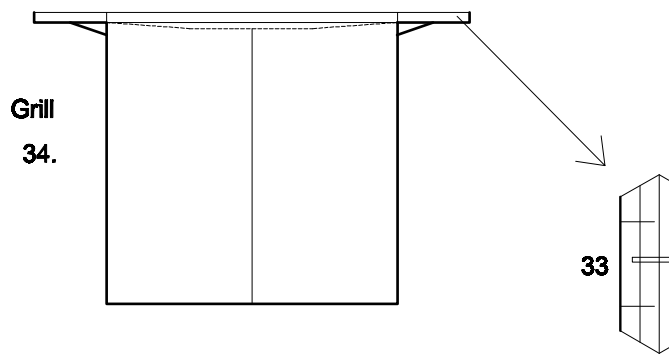
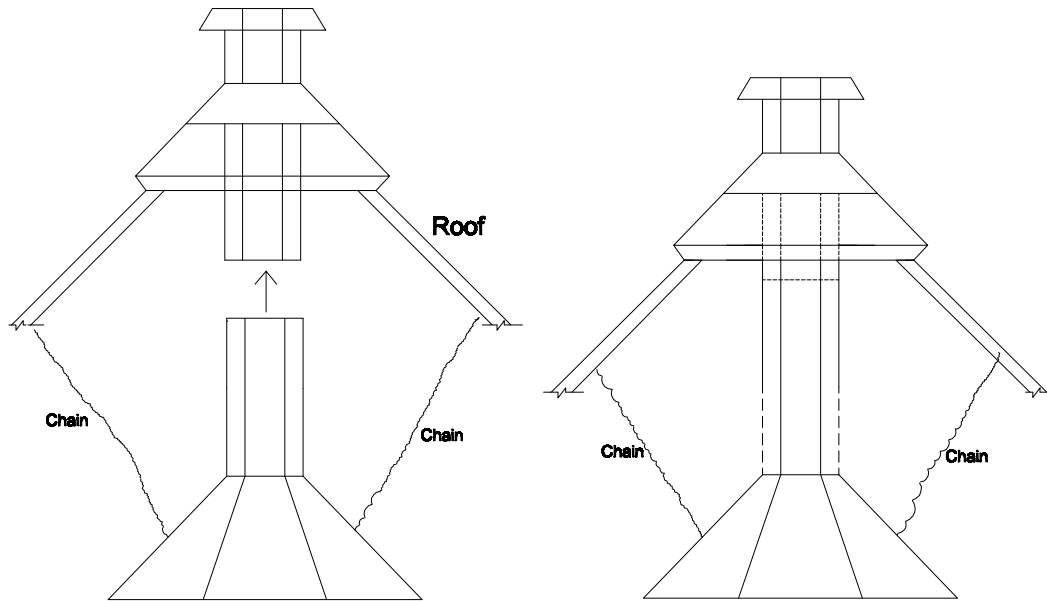
REMARK

- No.27 6 lists for roof inside, screw 3.5x 30 mm
- No.28 6 lists for walls inside, screw 3.5x 30 mm
- No.29 2 inside lists for door, screw 3.5x 30 mm
- No.30 1 inside list for door, screw 3.5x 30 mm

Put on long lists around roof. Adjust inside lists around the door and walls.

Assembly of chimney and grill





REMARK

- 31. 1 Chimney
- 32. 1 Chimney pipe
- 33. 1 Smoke collector
- 34. 1 Grill and legs
- 35. 6 Tables around grill
- 36. 3 Chains for smoke collector

Insert the chimney into roof cap.
 Connect the smoke collector with chimney pipe. Place smoke collector up to the desired height and attach it to the roof with chains.